

FIG. 1

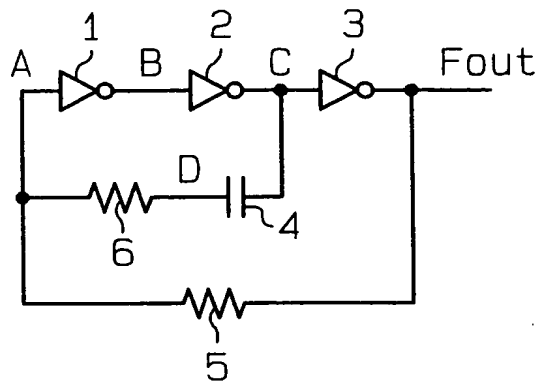


FIG. 2

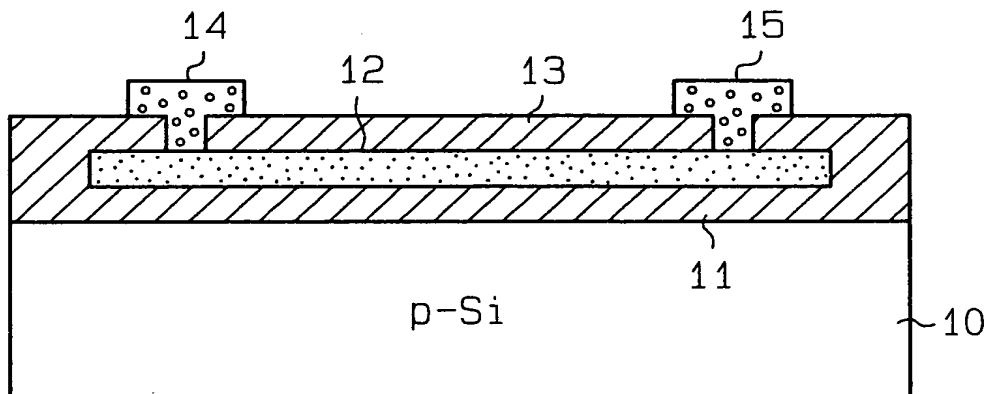


FIG. 3

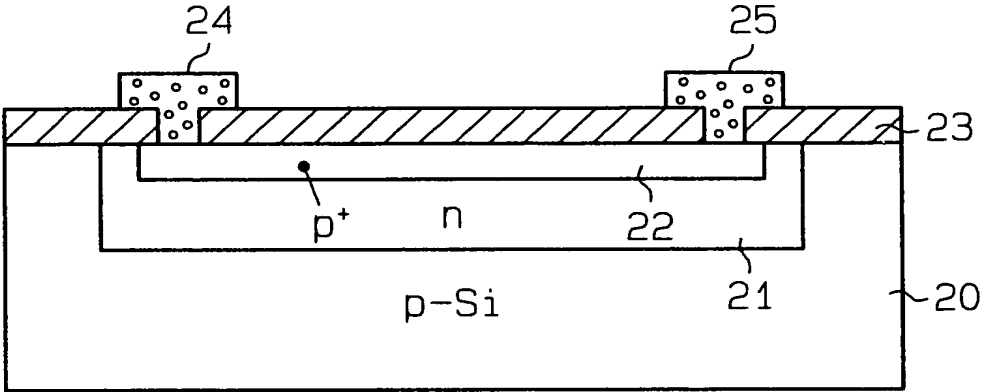


FIG. 4

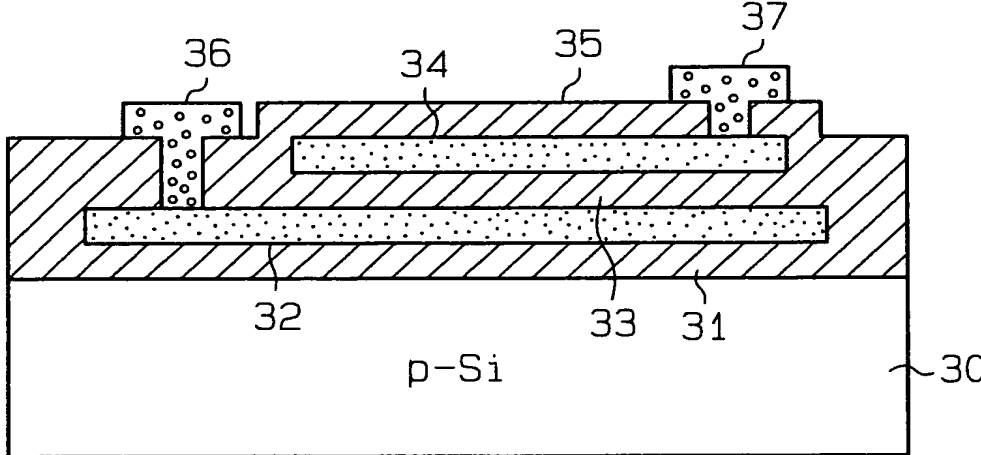


FIG. 5

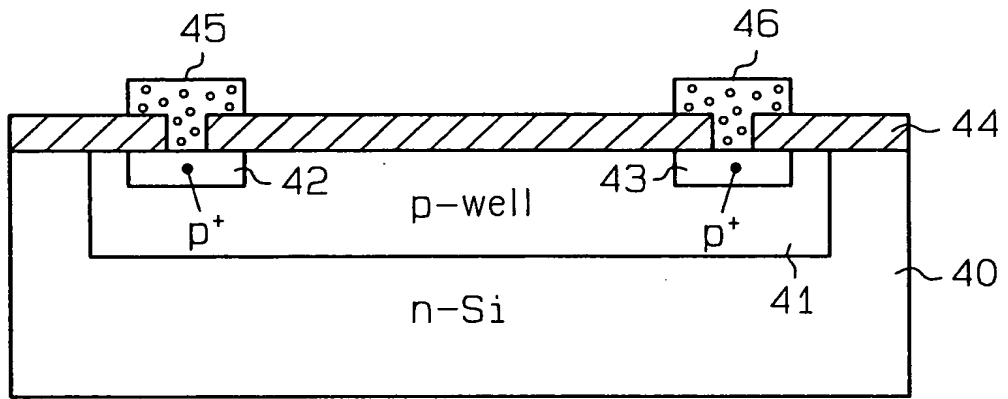


FIG. 6

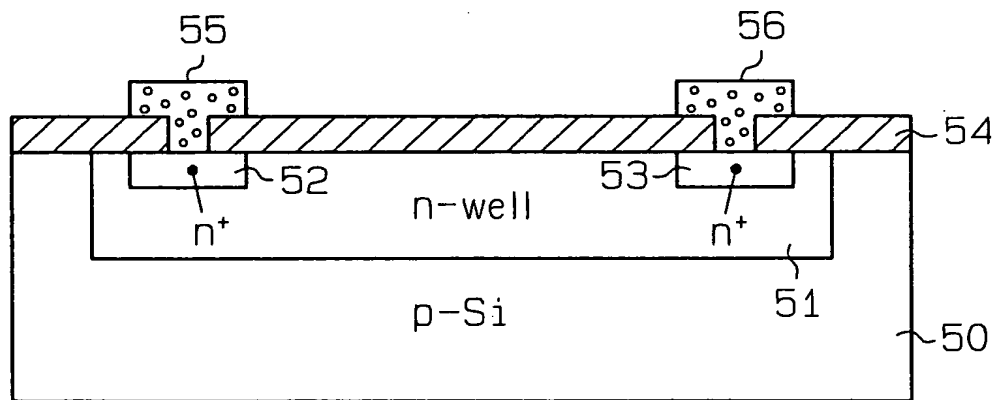


FIG. 7

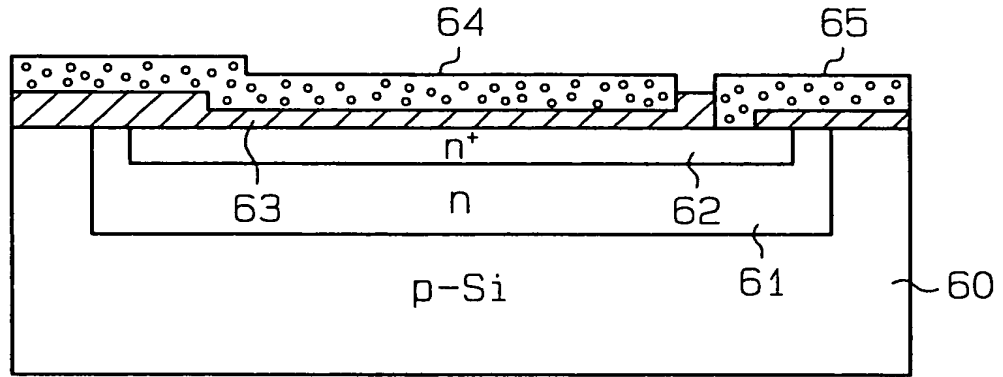


FIG. 8

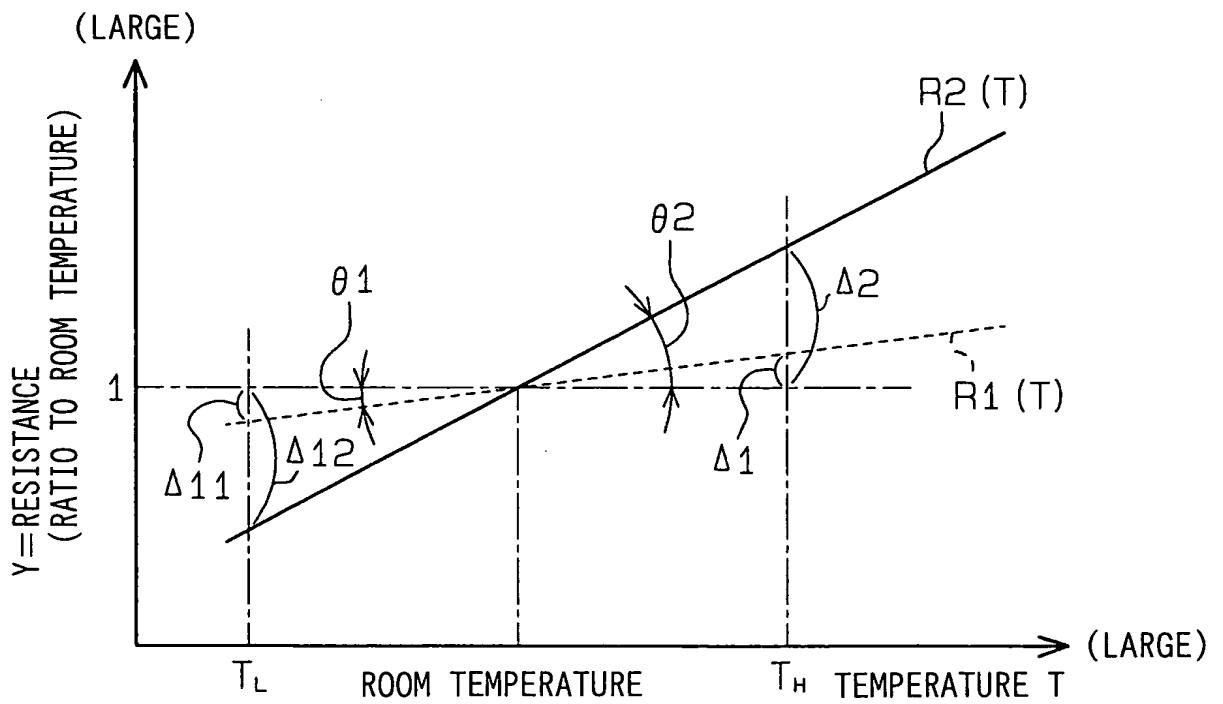


FIG. 9A

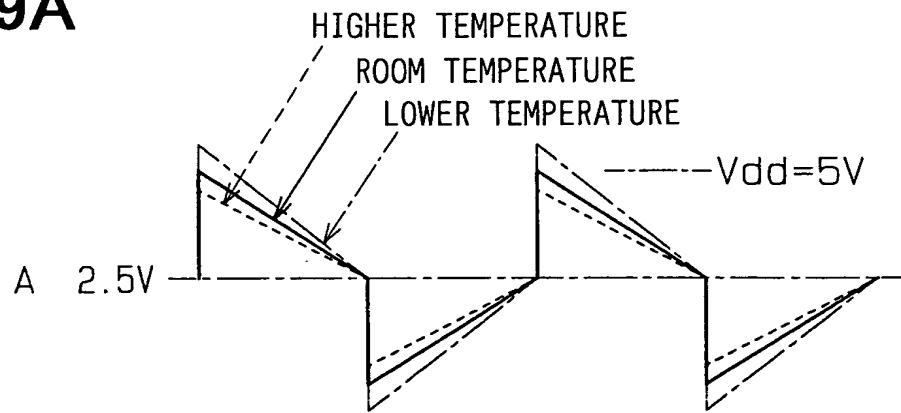


FIG. 9B

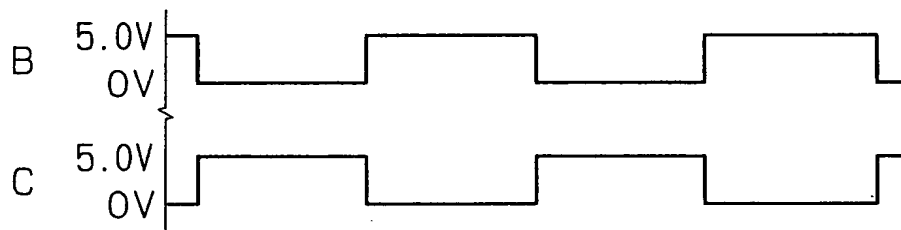


FIG. 9C

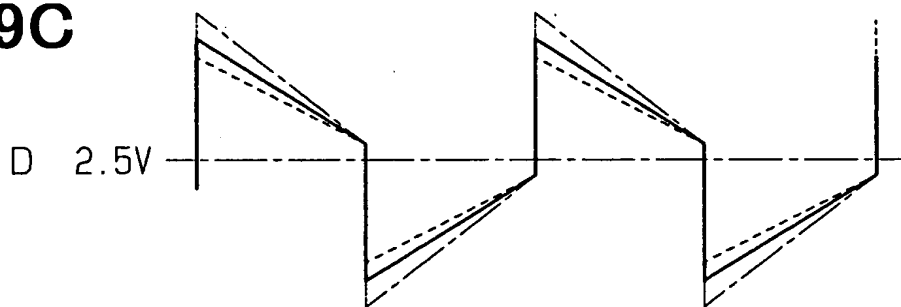


FIG. 9D

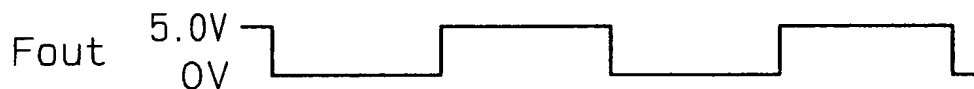
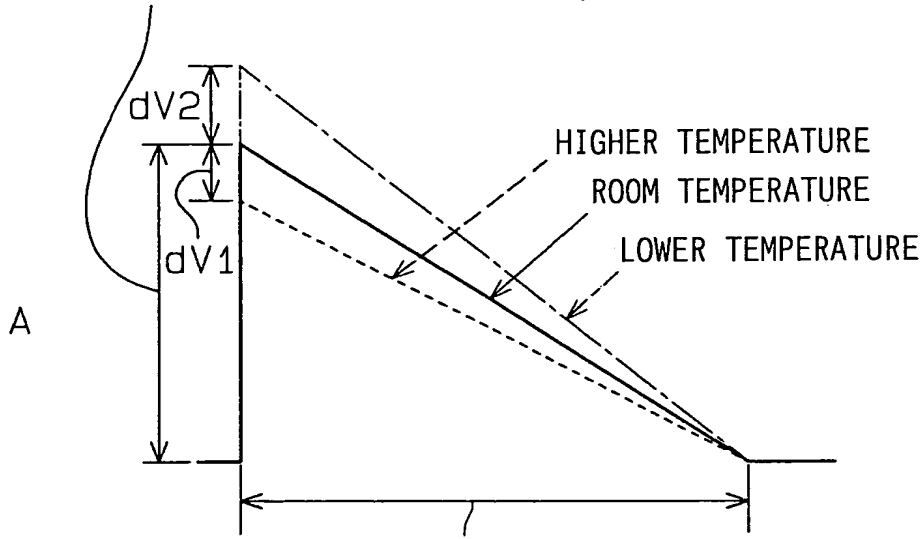


FIG. 10

$Y = \text{OPERATION POINT} = V_{dd} * R1(t) / \{R1(T) + R2(T)\}$
HIGHER AT LOWER TEMPERATURE; LOWER AT HIGHER TEMPERATURE



$X = \text{DISCHARGE TIME} = K * \{R1(T) + R2(T)\} * C1$
SHORTER AT LOWER TEMPERATURE; LONGER AT HIGHER TEMPERATURE

FIG. 11

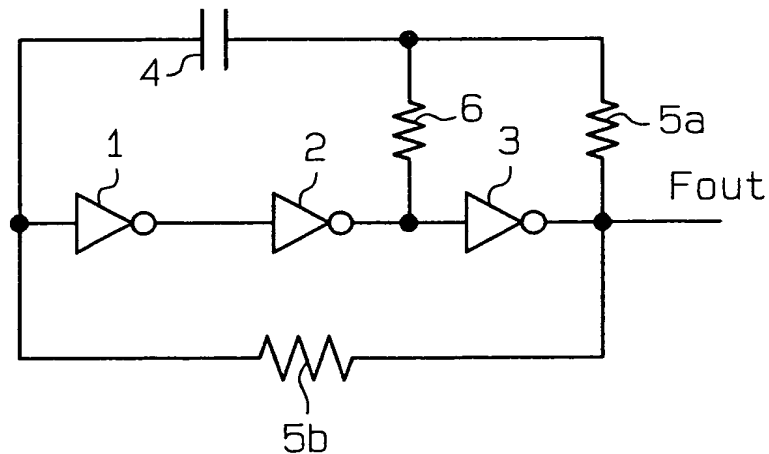


FIG. 12

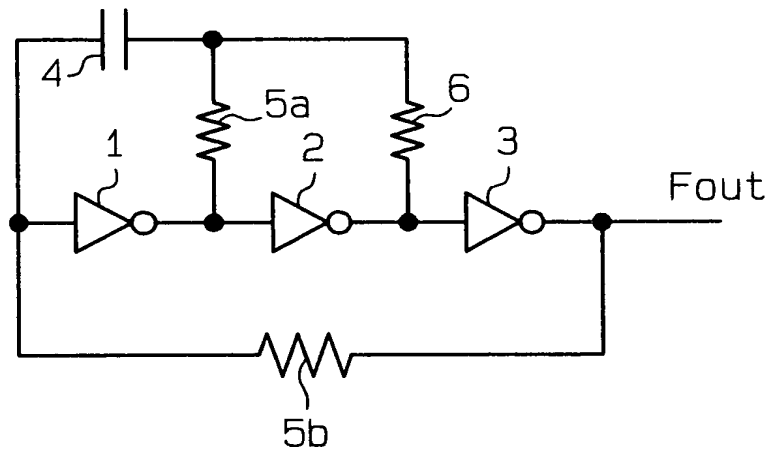


FIG. 13

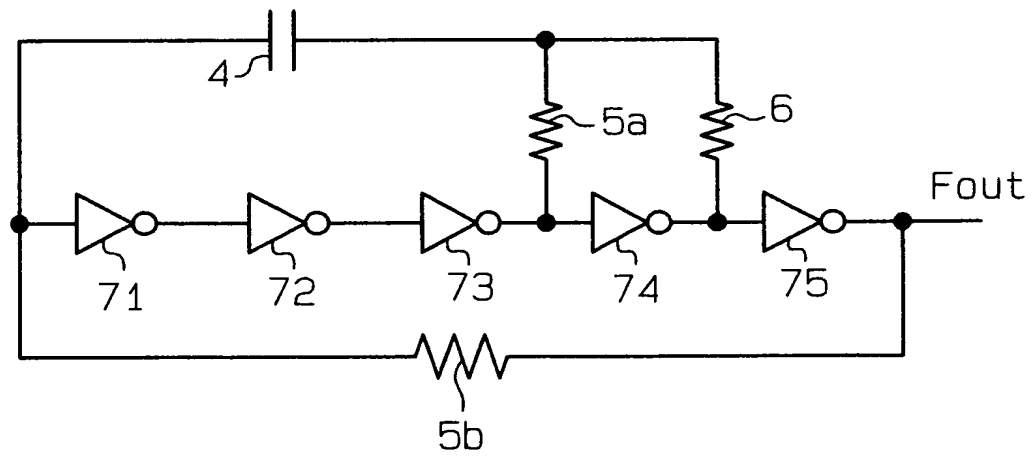


FIG. 14

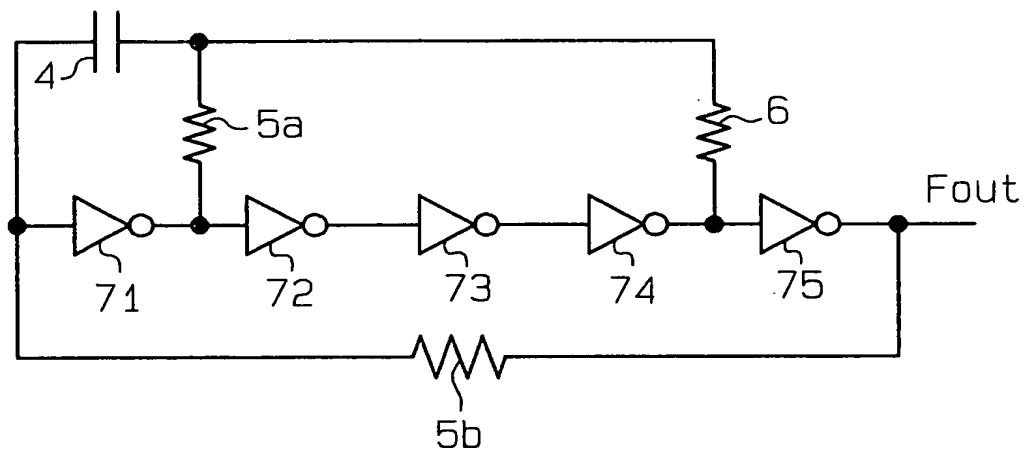


FIG. 15

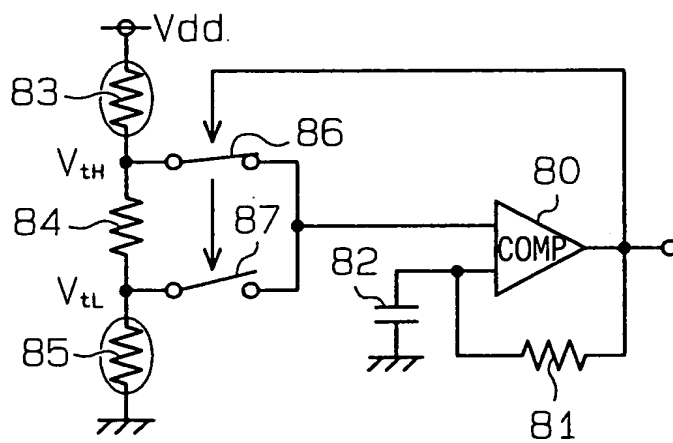


FIG. 16

<HIGH TEMPERATURE>

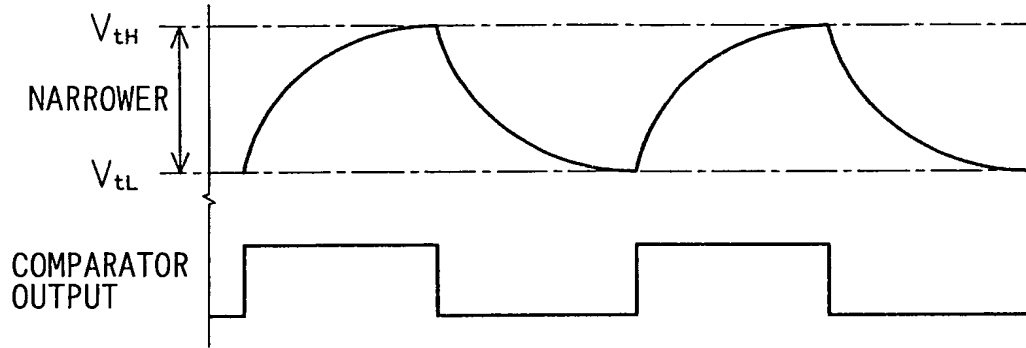


FIG. 17

<LOW TEMPERATURE>

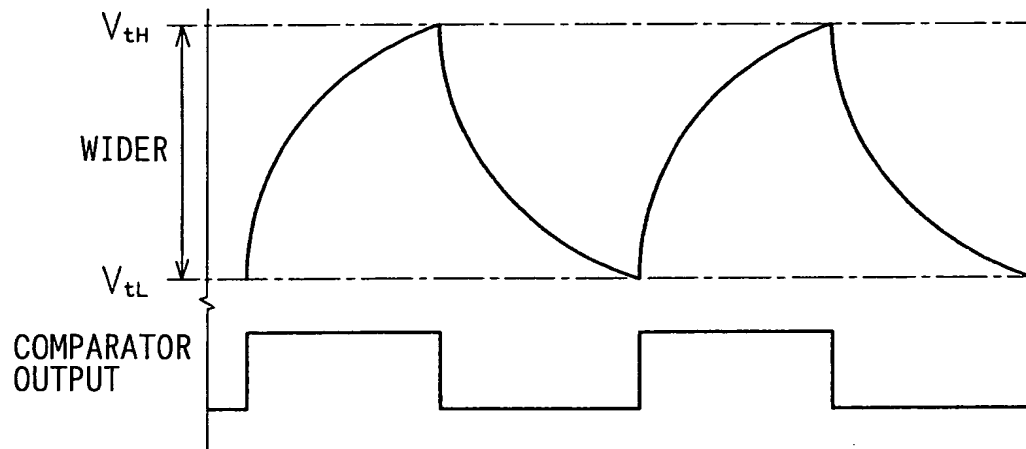


FIG. 18 RELATED ART

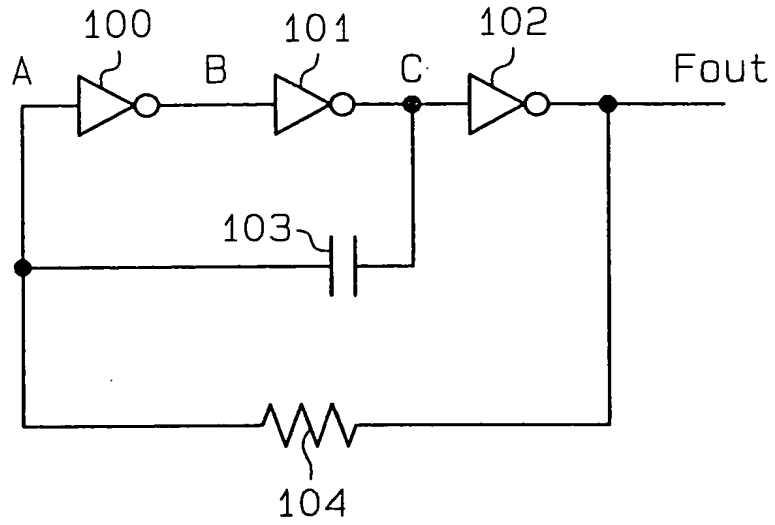


FIG. 20 RELATED ART

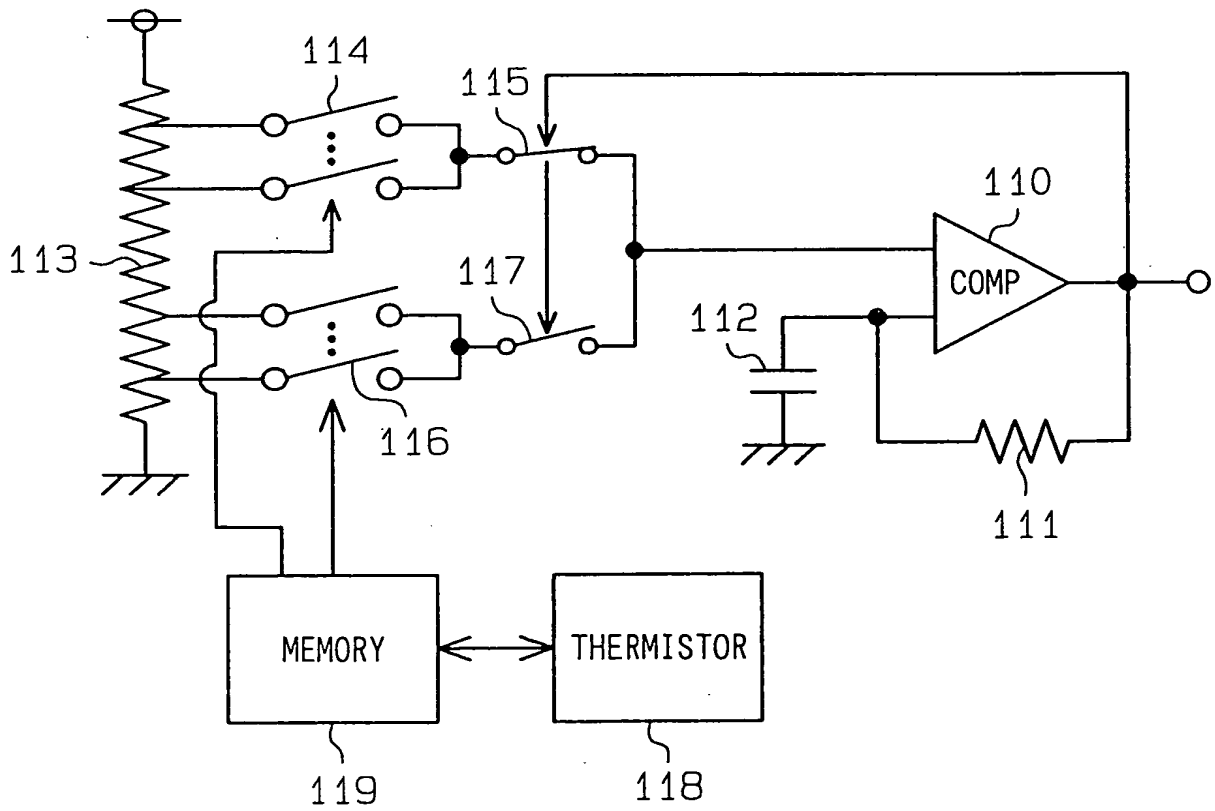


FIG. 19 RELATED ART

